

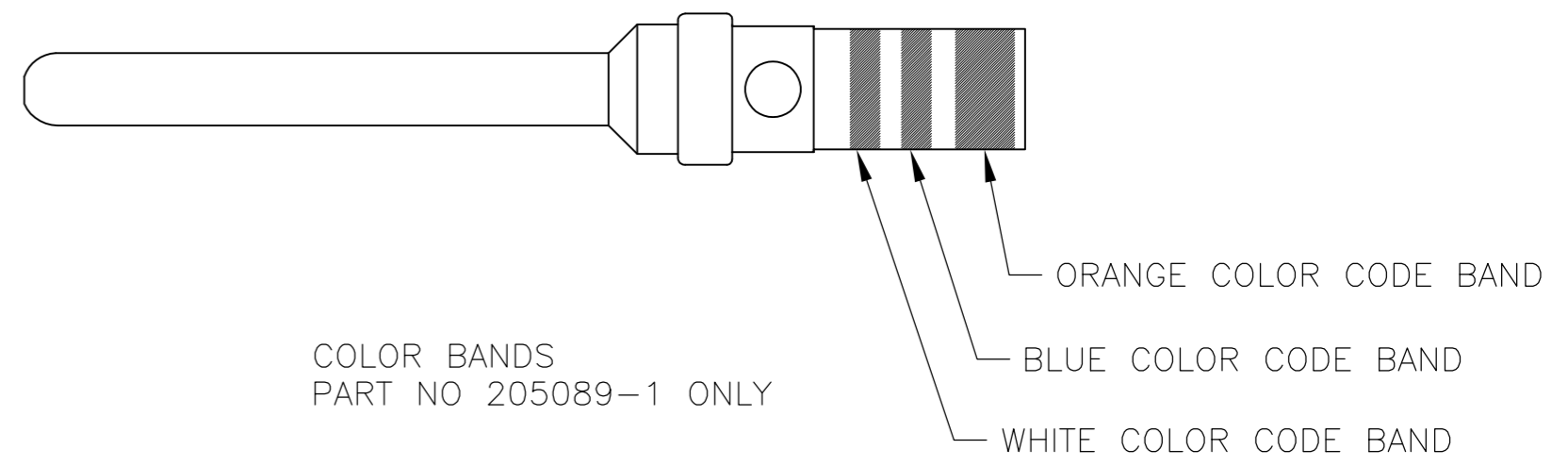
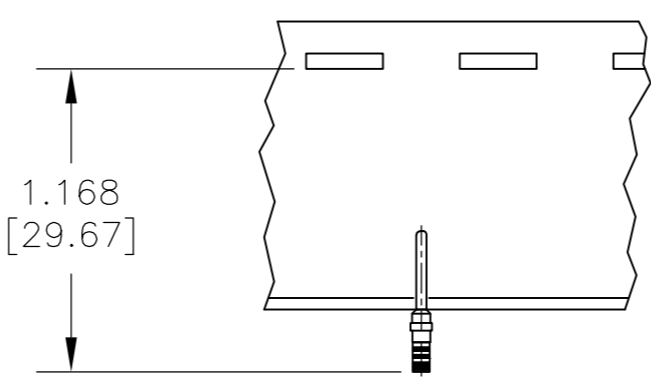
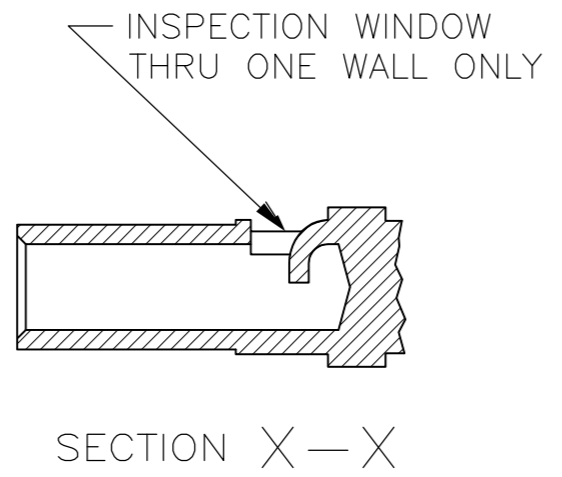
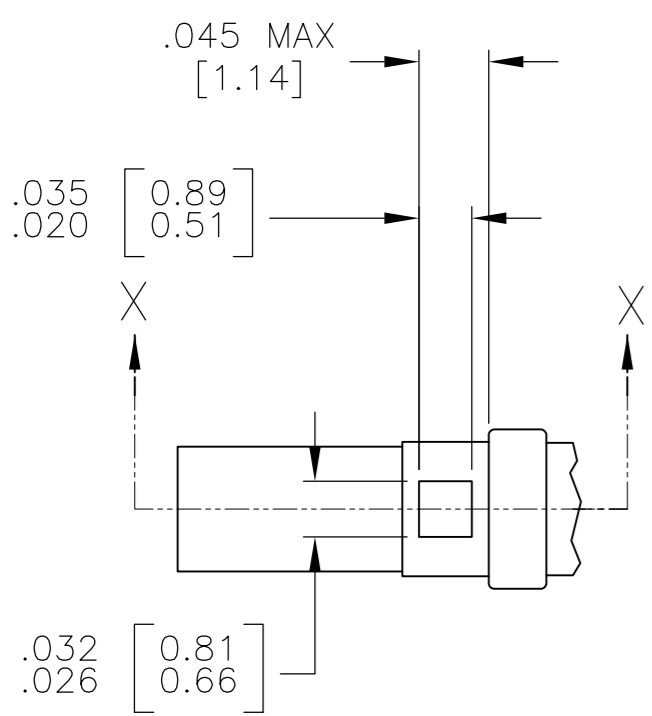
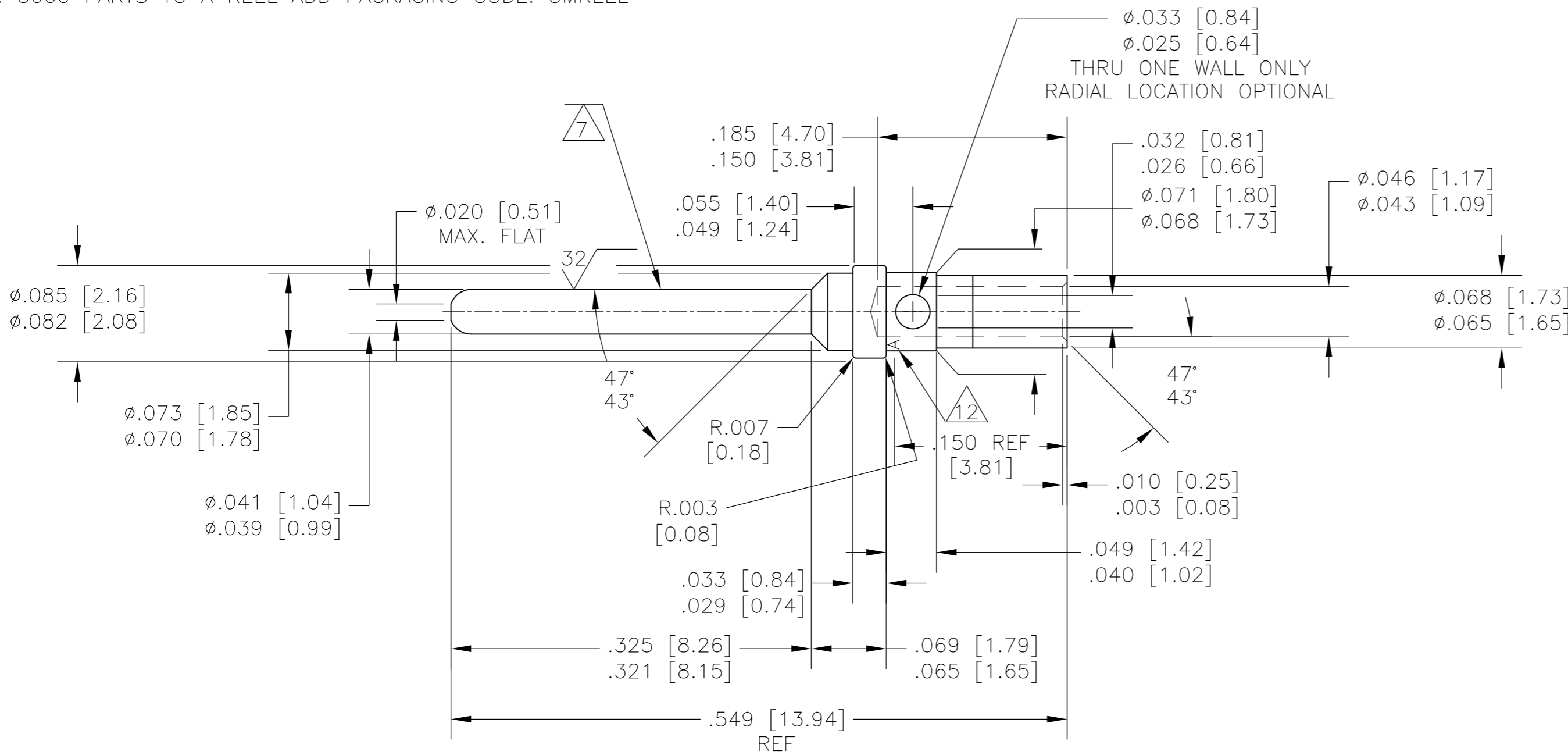
THIS DRAWING IS UNPUBLISHED. RELEASED FOR PUBLICATION
 © COPYRIGHT - By - ALL RIGHTS RESERVED.

LOC		DIST		REVISIONS			
P	LTR	DESCRIPTION		DATE	DWN	APVD	
	V	REV PER ECO-12-007856		25APR12	PY	RL	

WHEN ORDERING CONTACT ON TAPE, ORDER BY THE TAPE NUMBER PLUS THE PACKAGING CODE AS FOLLOWS:

- 2. FOR USE WITH AMP TAPETRONIC, PNEUMATIC TOOL-
 - A. 1000 PARTS TO A BOX ADD PACKAGING CODE: 1MBOX
- 3. FOR USE WITH 4/8 INDENT STRIPPER CRIMP-
 - A. 1000 PARTS TO A REEL ADD PACKAGING CODE: 1MREEL
 - B. 5000 PARTS TO A REEL ADD PACKAGING CODE: 5MREEL

- 1 MATERIAL: COPPER ALLOY PER MIL-C-39029 & MIL-DTL-24308.
- 2 ALL DIMENSIONS APPLY AFTER PLATING.
- 3 THIS DRAWING COMPLIES WITH SPECIFICATION MIL-C-39029/64 & M24308/11-1.
- 4 ALL DIAMETERS CONCENTRIC WITH EACH OTHER WITHIN .004 T.I.R.
- 5 PIN MATES WITH SOCKET 205090 (MIL-C-39029/63).
- 6 ALL SURFACES HAVE $\sqrt{63}$ OR BETTER FINISH, UNLESS SHOWN.
- 7 POINT OF PLATING MEASUREMENT .188 [4.78] FROM TIP OF PIN.
- 8 PLATING: GOLD PER ASTM-B-488 (TYPEII) OVER NICKEL PER QQ-N-290.
- 9 PLATING: GOLD PER ASTM-B-488 (TYPEII) OVER COPPER PER MIL-C-14550, CLASS 4.
- 10 PLATING: GOLD PER ASTM-B-488 (TYPE II, CLASS 0) OVER NICKEL PER QQ-N-290.
- 11 PLATING:
 - MATING AREA: GOLD PER ASTM-B-488 (TYPE II) OVER NICKEL PER QQ-N-290.
 - NON MATING AREA: GOLD PER ASTM-B-488 OVER NICKEL PER QQ-N-290.
- 12 MANUFACTURER'S LOGO ("A" OR "- . .") LOCATION OPTIONAL



WITHOUT COLOR CODE	8	1-205089-1
WITHOUT COLOR CODE	10	1-205089-0
WITHOUT COLOR CODE	9	205089-4
CONTACT ON TAPE	SAME AS -1	205089-2
AS SHOWN	11	205089-1
DESCRIPTION	PLATING	PART NO.

DIMENSIONS:		TOLERANCES UNLESS OTHERWISE SPECIFIED:		DWN		25AUG2003	
INCHES		0 PLC ± -		J. KAISER		TE Connectivity	
		1 PLC ± -		CHK D. MILLER 10-13-03			
		2 PLC ± -		APVD D. MILLER 10-13-03		NAME	
		3 PLC ± -		PRODUCT SPEC		PIN SIZE 20 CONTACT, AMPLIMITE	
		4 PLC ± -		APPLICATION SPEC		SIZE CAGE CODE DRAWING NO RESTRICTED TO	
		ANGLES ± -		WEIGHT -		A2 00779 C=205089	
MATERIAL 1		FINISH -		CUSTOMER DRAWING		SCALE 10:1 SHEET 1 of 1 REV V	